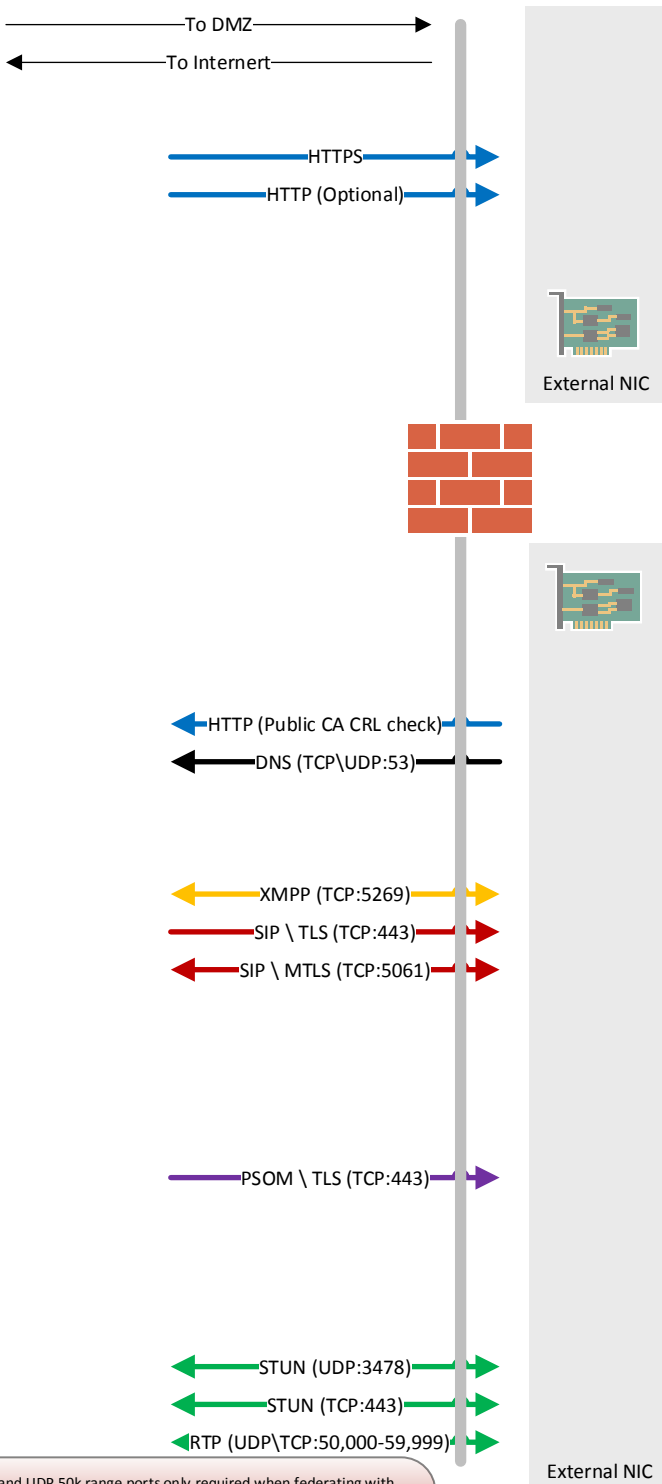


## External Firewall



## LWS External IP



## WAC External IP



## Reverse Proxy



## Edge Server

## Access External IP



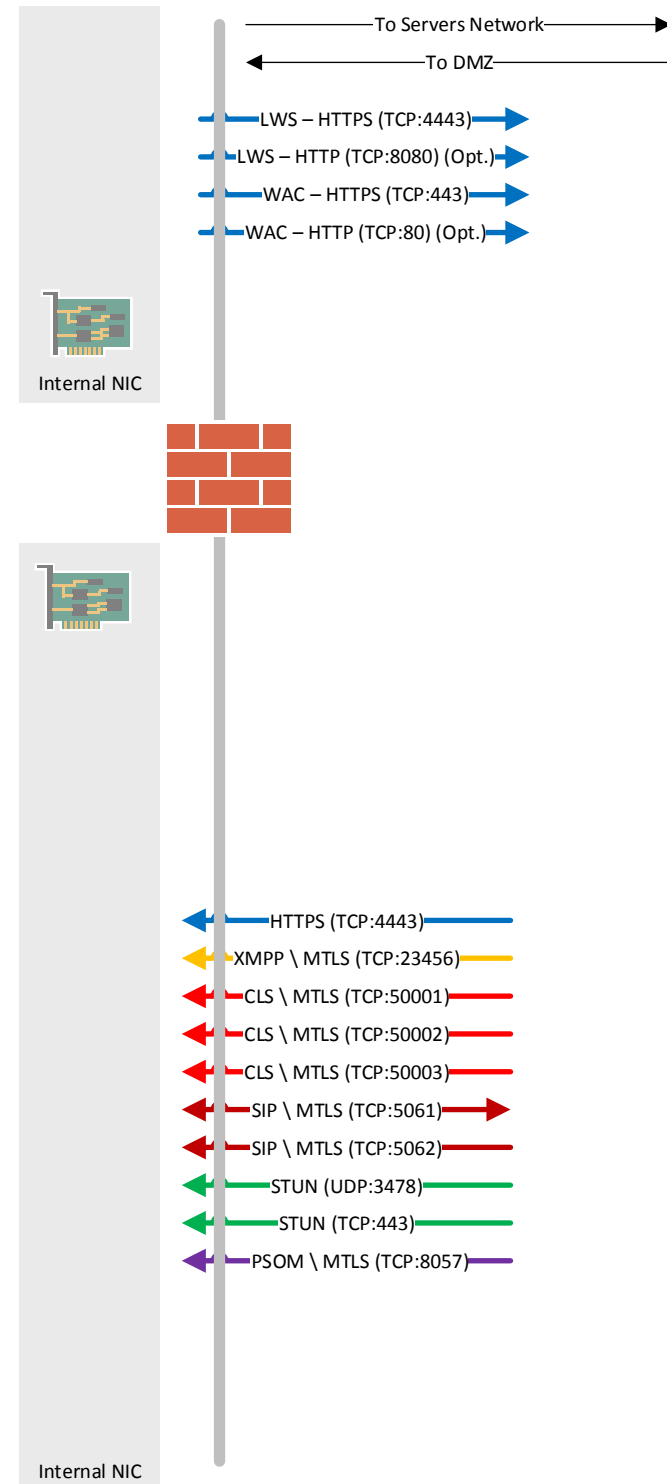
## WebConf External IP



## AV External IP



## Internal Firewall



TCP and UDP 50k range ports only required when federating with partners running OCS 2007